

# ROTO-LOAD CENTER®

## ROTARY PHASE CONVERTER SYSTEM



The ROTO-LOAD CENTER® is designed for applications with 3Ø electronic equipment or systems with line-to-neutral circuits that cannot be modified. Most 3Ø electronic devices have specific +/- voltage tolerances that must be maintained under all operating conditions.

### 240V INPUT: 208 / 120V WYE OUTPUT

CONVERTER SIZE	APPX. SHIPPING WEIGHT (LBS)	1Ø FLA	APPROXIMATE STARTING AMPS	ROTARY BASE FRAME	MAXIMUM 3Ø LOAD
10KVA TYPE 2RLC	400	60	230	254RLC	24
15KVA TYPE 2RLC	450	80	275	256RLC	42
20KVA TYPE 2RLC	600	100	300	286RLC	55
28KVA TYPE 2RLC	700	125	450	324RLC	72
30KVA TYPE 2RLC	775	140	550	326RLC	83
* 42KVA TYPE 2RLC	1,140	180	620	364RLC	110

\* 42 KVA-364 Frame, not UL or CSA.

### 240V INPUT: 480 / 277V WYE OUTPUT

CONVERTER SIZE	APPX. SHIPPING WEIGHT (LBS)	1Ø FLA	APPROXIMATE STARTING AMPS	ROTARY BASE FRAME	MAXIMUM 3Ø LOAD
10KVA TYPE 3RLC	400	60	230	254RLC	12
15KVA TYPE 3RLC	450	80	275	256RLC	21
20KVA TYPE 3RLC	600	100	300	286RLC	28
28KVA TYPE 3RLC	700	125	450	324RLC	36
30KVA TYPE 3RLC	775	140	550	326RLC	42
* 42KVA TYPE 3RLC	1,140	180	620	364RLC	55

\* 42 KVA-364 Frame, not UL or CSA.

Applications with hard starting motors or wide load swings may require a larger converter. Best results are achieved between 20% and 80% of converter capacity. Loads which require better tolerances may require the use of a power conditioner as well. Models shown consists of a rotary converter with pad mount transformer. Contact Ronk for other options.

Sales Information: 1-800-221-7665

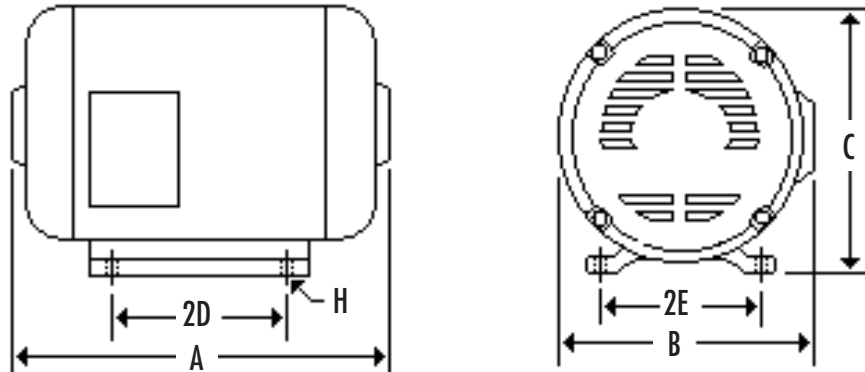


Service & Support: 1-217-563-8333

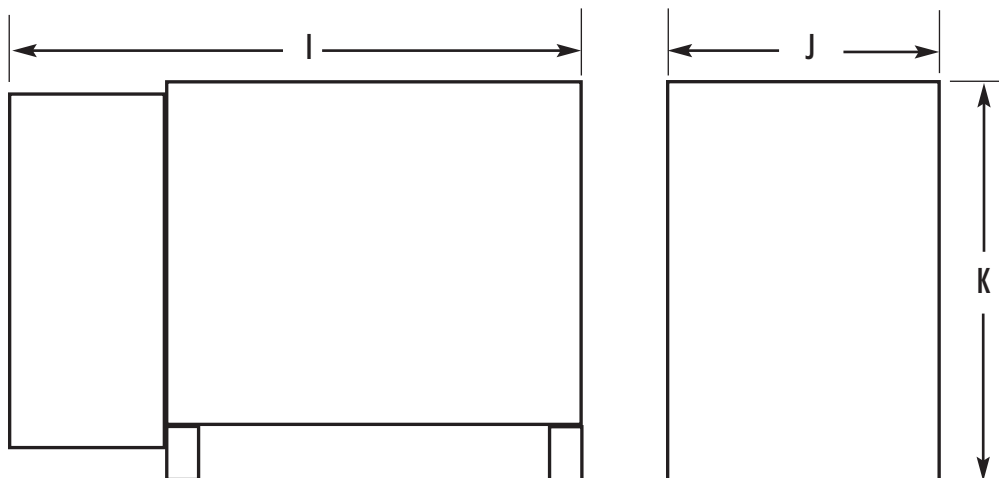
# ROTO-LOAD CENTER®

## ROTARY PHASE CONVERTER SYSTEM

### DIMENSIONS OF ROTARY BASE AND TRANSFORMER ENCLOSURE



PART# 2RLC/3RLC	ROTARY BASE DIMENSIONS							TRANSFORMER ENCLOSURE		
	FRAME	A	B	C	2D	2E	H	I	J	K
10KVA	254	15-1/4	11-1/2	12	8-1/4	10	17/32	29	16	27
15KVA	256	17-1/4	11-1/2	12	10	10	17/32	29	16	27
20KVA	286	19	13-1/4	13-5/8	11	11	17/32	29	16	27
28KVA	324	23-1/8	15-1/8	15-9/16	10-1/2	10-1/2	21/32	29	16	27
30KVA	326	24-1/8	15-1/8	15-9/16	12	10-1/2	21/32	29	16	27
42KVA	364	25-5/8	18-1/16	18	11-1/4	14	21/32	29	17	27



Sales Information: 1-800-221-7665



Service & Support: 1-217-563-8333